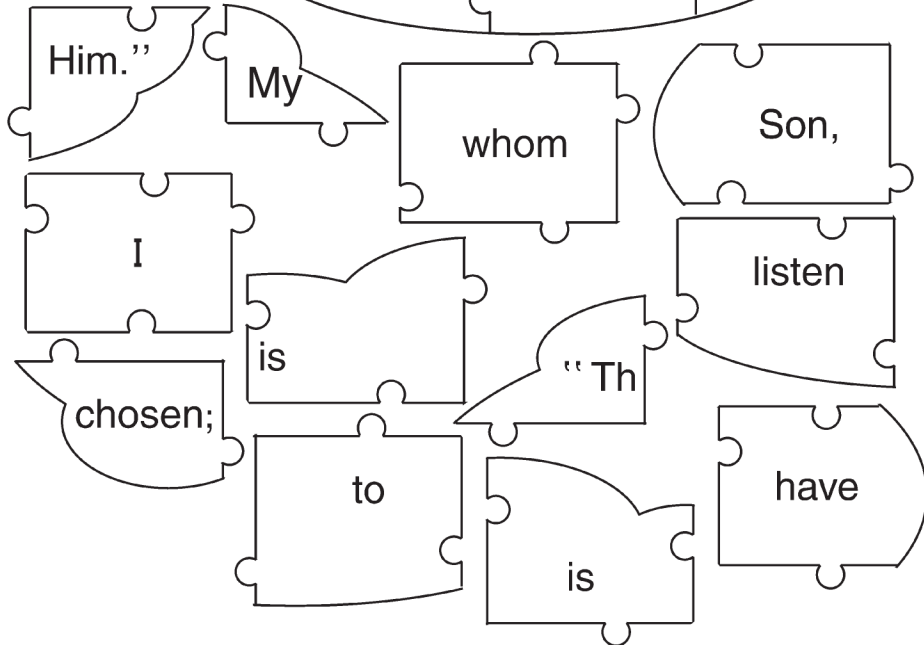
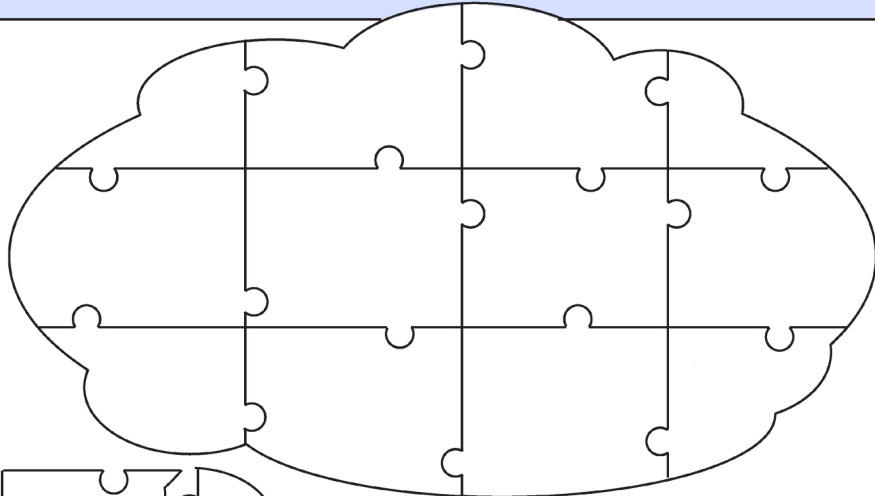


While He was speaking, a cloud appeared and covered them ...  
A voice came from the cloud.

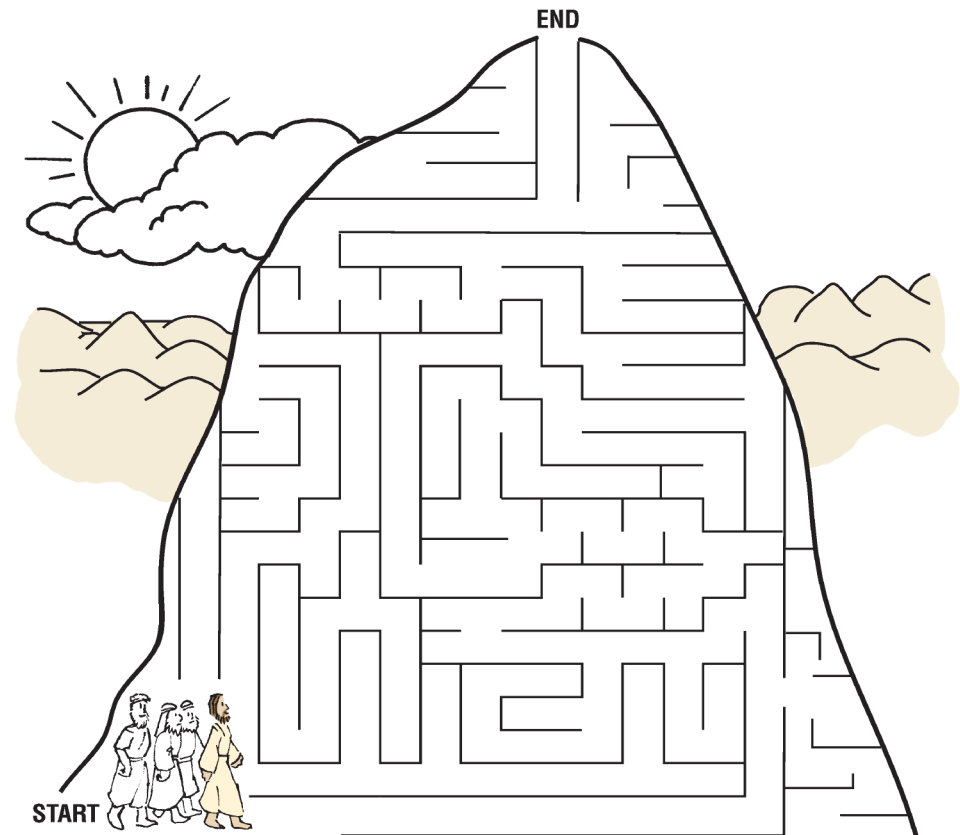
Fit the pieces in the puzzle to find out what the voice said.



**Jesus Is Transfigured**

Jesus took Peter, James and John with Him and went up onto a mountain to pray.

Find the route to the top of the mountain.



Enter your **SECRET CODE** to unlock games @ [games.childrensbulletins.com](http://games.childrensbulletins.com)

**SECRET CODE!**  
**MRXV65**

